

# WIL

Romano Marcato | 2016



# WIL

Romano Marcato | 2016

Originally based on a gear change, but with the speed of overtaking, the base support section transformed from round to triangular. This is the character of the dynamic and comfortable WIL stool, inspired by the automotive world. The stitching of the upholstered seat recalls a steering wheel. The colourful upholstery determines the destination of the journey.

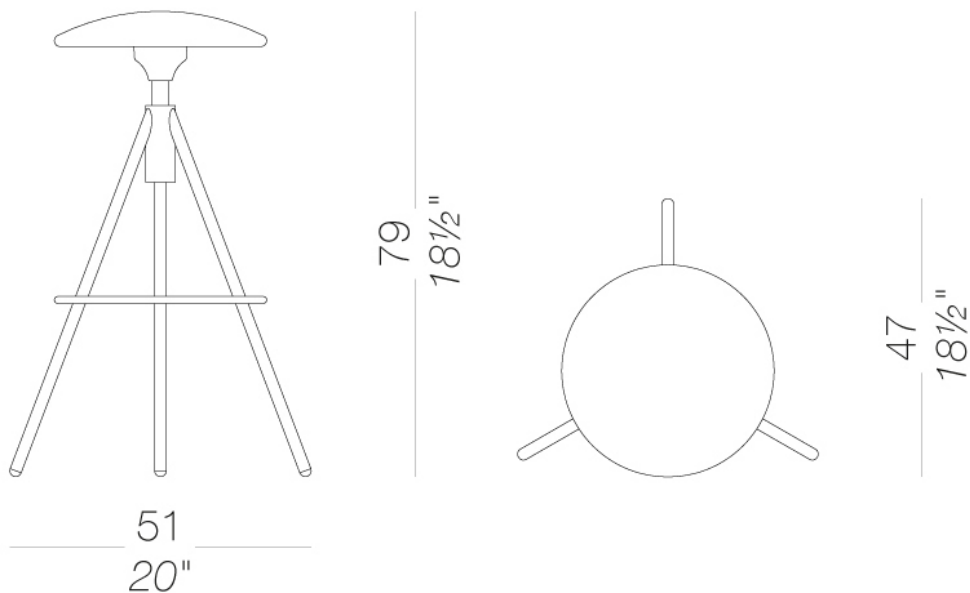


# WIL

Romano Marcato | 2016

## | S220 Upholstered stool for H79

Stool with swivel seat in plywood, upholstered in fire-retardant foam and covered with fabric, leather or eco-leather. Three metal legs with tubular structure at feet converting to triangular section at the point where it joins the seat. Base powder coated. Feet in polythene.

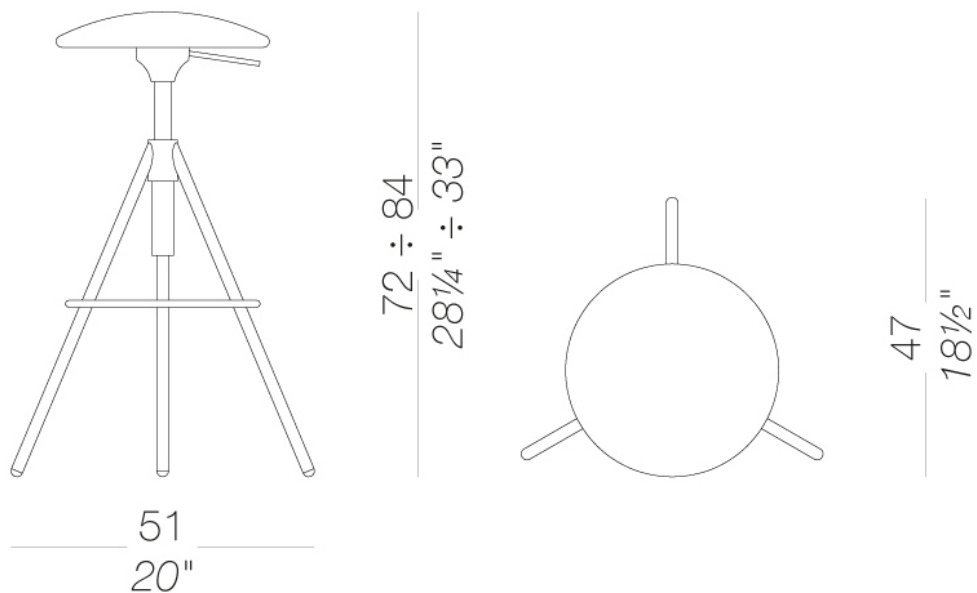


# WIL

Romano Marcato | 2016

## | S222 Upholstered stool height-adjustable H72÷84

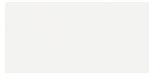
Stool with swivel seat in plywood and adjustable height, upholstered in fire-retardant foam and covered with fabric, leather or eco-leather. Three metal legs with tubular structure at feet converting to triangular section at the point where it joins the seat. Base powder coated. Feet in polythene.



**frame**

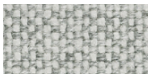


powder coating  
black  
1 Colors



powder coating  
white  
1 Colors

**seat**



fabric  
Hallingdal 65  
58 Colors



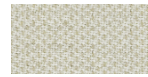
fabric  
Canvas 2  
45 Colors



fabric  
Steelcut Trio 3  
54 Colors



fabric  
Remix 3  
72 Colors



fabric  
Clara 2  
24 Colors



fabric  
Fiord 2  
39 Colors



fabric  
Divina MD  
27 Colors



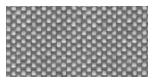
fabric  
Divina Melange 3  
38 Colors



fabric  
Tonica 2  
39 Colors



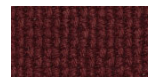
fabric  
Medley  
37 Colors



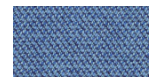
fabric  
Maya  
43 Colors



fabric  
Jet  
66 Colors



fabric  
Lapalma Smart  
18 Colors



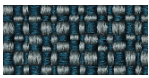
fabric  
Capture  
43 Colors



fabric  
Crisp  
40 Colors



fabric  
Nattè  
23 Colors



fabric  
Iris  
24 Colors



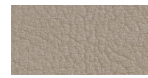
fabric  
Steelcut 2  
37 Colors



soft-leather  
soft-leather  
7 Colors



ecoleather  
GRIMM FR  
24 Colors



ecoleather  
Valencia  
59 Colors

**consult the portfolio for the range of colors, fabrics, eco-leather, soft-leather.**

**use and maintenance instructions**

Clean all parts in wood, leather, fabric and metal with a damp cloth or a diluted neutral cleaner. Do not use cleaners with alcohol, bleach, solvent or abrasive products. Any liquid spilt on the product must be wiped up immediately. When lifting or moving the product, hold it on the structure and not under the seat. The product should not be subjected to unbalanced weights, as it is designed for a proper rest on the foothold (on four legs or on the base). Our company relieves from any responsibility in case of damage caused to fragile floors. Avoid any improper use of the product: do not step on the product, on the footrest or on the armrests. Avoid any movements that could compromise the proper functionality of the product or the safety of the users. Wood and leather, being natural materials, could be easily damaged. Small impurities or imperfections are within quality standard range. Do not expose the product to weather conditions or atmospheric agents, nor to heat sources over 40°C. Also products for outdoor use could be afflicted by atmospheric agents. The product could undergo possible exterior changes due to particular exposure to heat, humidity and saltiness. An appropriate and frequent maintenance and cleaning of the product enhances its durability. The product could change colour and shade, if exposed to direct sunlight. Maintenance has to be carried out by experienced staff. Dispose of the package only after assembling the product, in order to avoid the loss of ironmongery and components. Once the product has been dismantled, the product itself or its components must be given to the public garbage disposal system, according to the legislation in force.